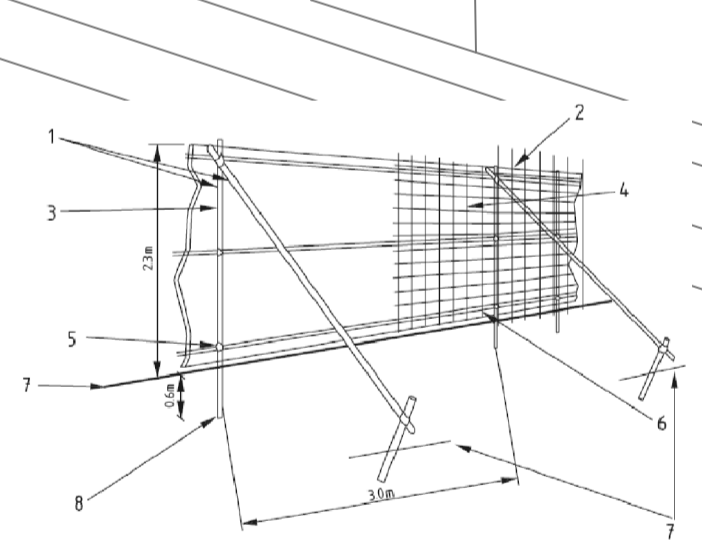
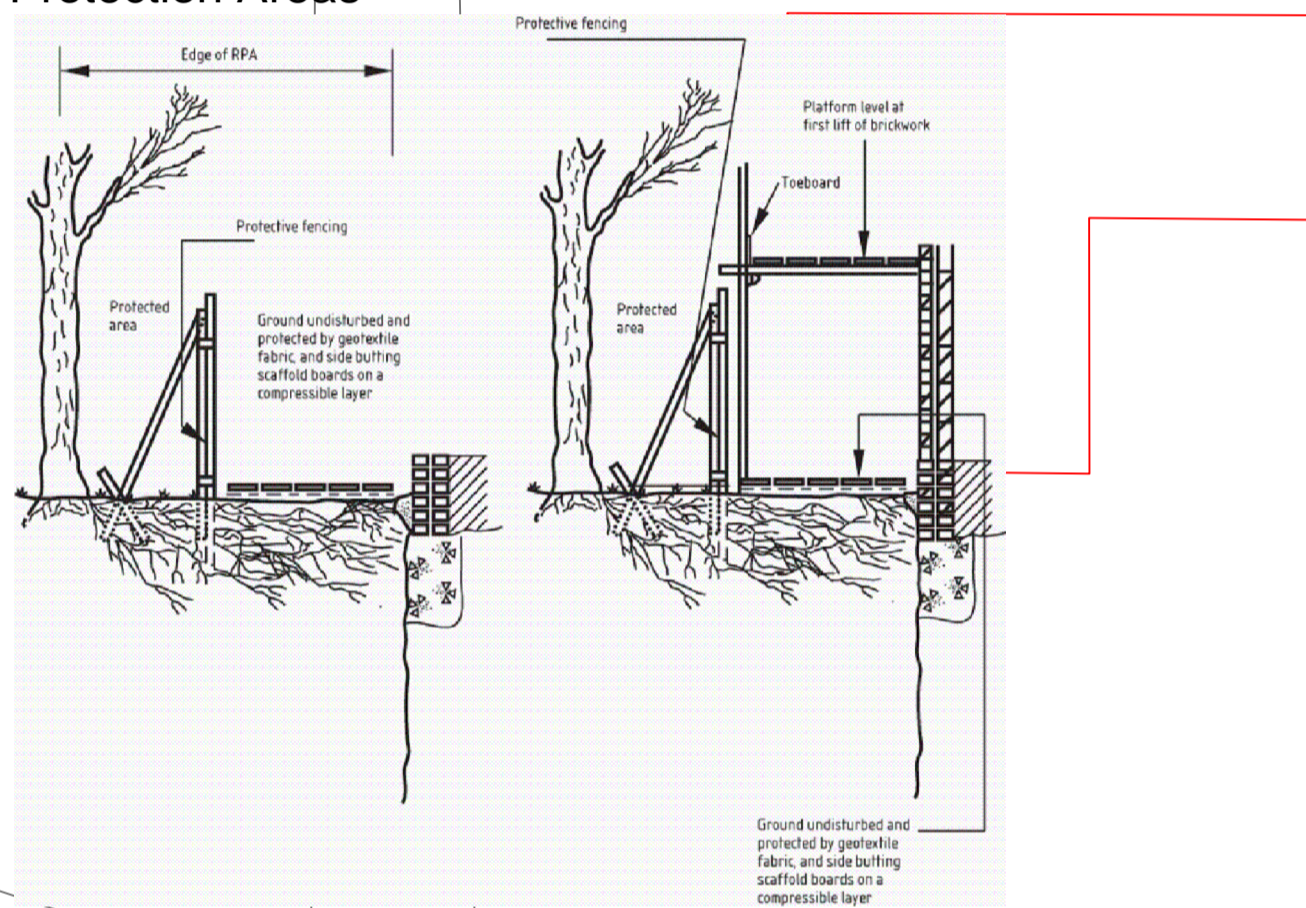


### Protective Measures

- No works access should be allowed into the construction exclusion zone during the development phase.
- No storage of any building materials or any other materials should be allowed within the construction Exclusion Zone.
- Once the exclusion zone has been protected by barriers and/or ground protection, construction work can commence. All weather notices should be erected on the barrier with words such as: "Construction exclusion zone - Keep out".
- In addition the following should be addressed or avoided.
  - Care should be taken when planning site operations to ensure that wide or tall loads, or plant with booms, jibs and counterweights can operate without coming into contact with retained trees. Such contact can result in serious damage to them and might make their safe retention impossible. Transit or traverse of plant in close proximity to trees should be conducted under the supervision of a banksman to ensure that adequate clearance from trees is maintained at all times. In some circumstances it may be impossible to maintain adequate clearance thus necessitating access facilitation pruning.
  - Material which will contaminate the soil, e.g. concrete mixings, diesel oil and vehicle washings, should not be discharged within 10 m of the tree stem.
  - Fires should not be lit in a position where their flames can extend to within 5 m of foliage, branches of trunk. This will depend on the size of the fire and the wind direction.
  - Notice boards, telephone cables or other services should not be attached to any part of the tree.
  - It is essential that allowance should be made for the slope of the ground so that damaging materials such as concrete washings, mortar or diesel oil cannot run towards trees.

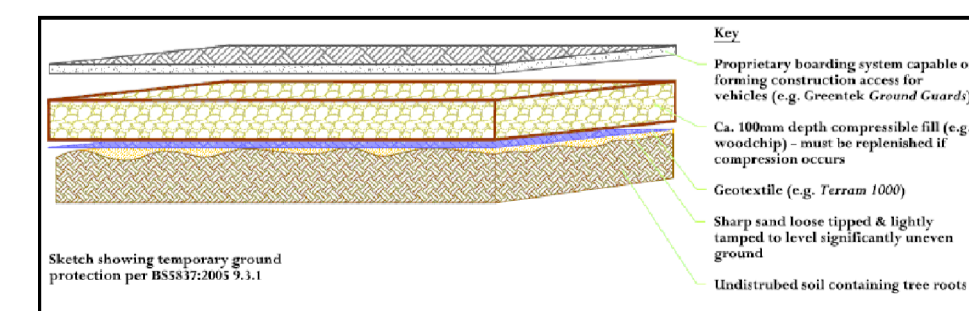
### Erection of Scaffolding Within Root Protection Areas



### Protective Barriers

- Standard scaffold poles
- Uprights to be driven into the ground
- Panels secured to uprights with wire ties and where necessary standard scaffold clamps
- Weldmesh wired to the uprights and horizontals
- Standard clamps
- Wire twisted and secured on inside face of fencing to avoid easy dismantling
- Ground level
- Approx. 0.6 m driven into the ground

### Temporary Ground Protection Layers Example



9A Tankerville Place Jesmond Newcastle upon Tyne NE2 3AT  
07773991474  
admin@woodsman-arb.co.uk  
www.woodsman-arb.co.uk

### Arbicultural Impact Assessment Tree Protection Plan

Retained and Removed Trees Shown On Proposed Site Layout - With Protective Measures

51 Sunderland Road  
KB Design Architectural Services

Drawing Number: TPP.51SR.No2  
Edited Jim Richardson 10/11/1015  
Scale 1:200 @A1  
Revisions:  
Based on Original Plan: Drawing 2084

### Key

- Tree Number, Tree Name, Retention Category
- T - Tree, H - Hedge, K - Small Tree, B - Shrub, G - Group, W - Woodland, S - Stump
- Green Centre: High Retention Value (Denoted by Letter A)
- Blue Centre: Medium Retention Value (Denoted by Letter B)
- Gray Centre: Low Retention Value (Denoted by Letter C)
- Red Centre: Unusable Retention Value (Denoted by Letter U)
- Existing Tree Canopy: Tree Shape - Tree Retained With NSEW Axis Lines (Shaded Light Green)
- Future Tree Canopy: Approximate Predicted Growth (Shaded Dark Green)
- Current Shadow Cast - Approximate
- Future Shadow Cast - Approximate
- Existing Tree Canopy: Tree Removed With NSEW Axis Lines (No Shading)
- Root Protection Area - Indicative
- Root Protection Area 20% Allowable Movement From Centre (Measurements Only Allowable Towards Areas With Favourable Rooting Conditions)
- Root Protection Area - Actual Area Footprint
- Protective Barrier Positioning (Continuous Blue Line)
- Ground Protection Required (Area Indicated By Orange Hatched)
- Special No Dig Construction Methods Required (Areas Indicated With Hexagonal Hatched)
- Tree or Woodland Group (Areas Indicated With Dashed Dark Green Hatching)

© Woodsman Arbicultural Consultancy  
Drawing produced in colour - monochrome re-productions should not be accepted.  
All rights reserved. This drawing should not be reproduced without prior written permission. Do not scale from drawing. All dimensions to be verified on site. Discrepancies, omissions or ambiguities in dimensions, tree positioning or other information used in this drawing, or the accompanying report should be reported to Woodsman Arbicultural Consultancy for clarification.